

Meiko USA
 1349 Heil Quaker Blvd.
 Lavergne, TN 37086
 800-868-3840

WIRING DIAGRAM

Model Number : FV250.2 / DV270.2
 Voltage : 460VAC 60Hz
 Phase : 3 Phase

Released For Production :

Editor : SZ

FOR USE WITH THE FOLLOWING OPTIONS:

- Internal Chemical Dosing Pumps
- Drain Water Tempering Kit
- Power Cord Kit
- External Vent Fan Control
- Dual Tank Fill System

RELEASE FOR PRODUCTION	04/01/2005	LST	
RELEASE ON SUPPLY	04/01/2005	LST	
LAST DRAWER	11/10/2009	SZ	
REVISION			

WIRING DIAGRAM



FV250.2 / DV270.2 USA
 460V 3 PH+G 60Hz
 COVER PAGE

9622297

FV250.2 / DV270.2

INPUT / OUTPUT ALLOCATION TABLE

LEVEL	INPUT / OUTPUT	ASSIGNMENT	CONNECTION
2-2	INPUT 1	S1: DOOR CLOSED	XA6 1/9
2-2	INPUT 2	S2: BOOSTER LEVEL SWITCH	XA6 2/10
2-2	INPUT 3	S3: FLOOR LEAKAGE	XA6 3
2-2	INPUT 4		XA6 4/12
2-2	INPUT 5		XA6 5/13
2-2	INPUT 6		XA6 6/14
2-2	INPUT 7		XA6 7/15
2-2	INPUT 8		XA6 8/16
2-2	INPUT 9	FSK: RINSE AID LEVEL (OPT.)	XA4 1/2
2-2	INPUT 10	FSR: DETERGENT LEVEL (OPT.)	XA4 3/4
2-2	INPUT 11	LD: CHEMICAL LEAK DETECTION	XA4 5/6
2-2	INPUT 12		XA4 7/8
2-2	INPUT 22		XA4 9/10
2-2	INPUT 19	B1: BOOSTER TEMPERATURE	XA5 1/2
2-2	INPUT 20	B2: TANK TEMPERATURE	XA5 3/4
2-2	INPUT 21	B3: TANK LEVEL	XA10 1/2/3
2-3	OUTPUT 1	K5: BOOSTER PUMP CONTACTOR	XA1 4
2-3	OUTPUT 2	M6: GEARED MOTOR (WASH ARM MOTION)	XA1 5
2-3	OUTPUT 3	M5: DRAIN PUMP	XA1 6
2-3	OUTPUT 4	M3/KP: RINSE AID DOSING	XA2 2
2-3	OUTPUT 5	M4/RP: DETERGENT DOSING	XA2 7
2-3	OUTPUT 6	K4: POWER CUTTING CONTACTOR	XA2 9
2-3	OUTPUT 7	Y1: FILLING VALVE	XA3 1
2-3	OUTPUT 8	Y2.1/Y2.2: SOFT START VALVE	XA3 2
2-3	OUTPUT 9	K1.1/K1.2: BOOSTER HEATING CONTACTOR	XA3 3
2-3	OUTPUT 10	K2.1/K2.2: TANK HEATING CONTACTOR	XA3 4
2-3	OUTPUT 11	K3.1/K3.2: WASH PUMP CONTACTOR	XA3 5
2-3	OUTPUT 12		XA3 6

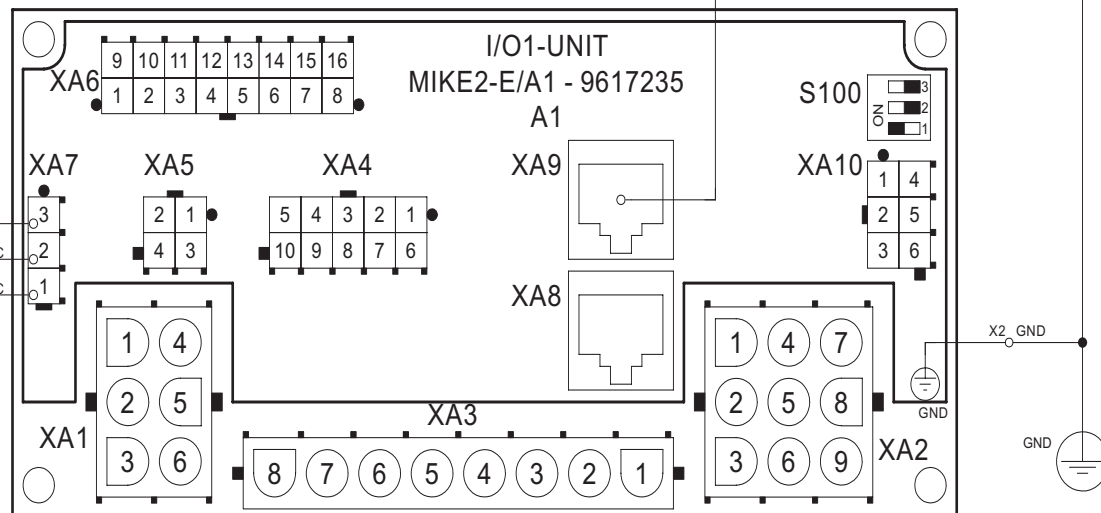
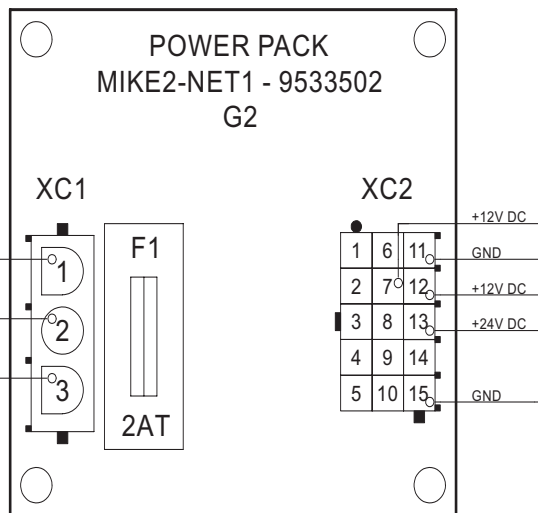
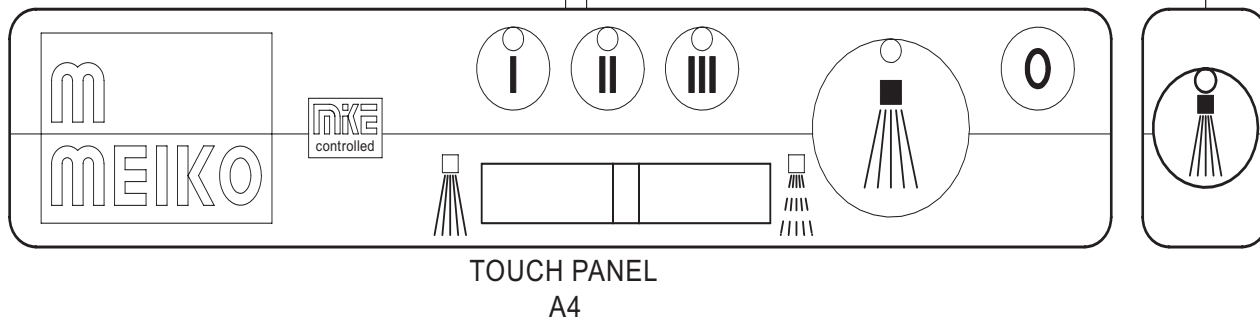
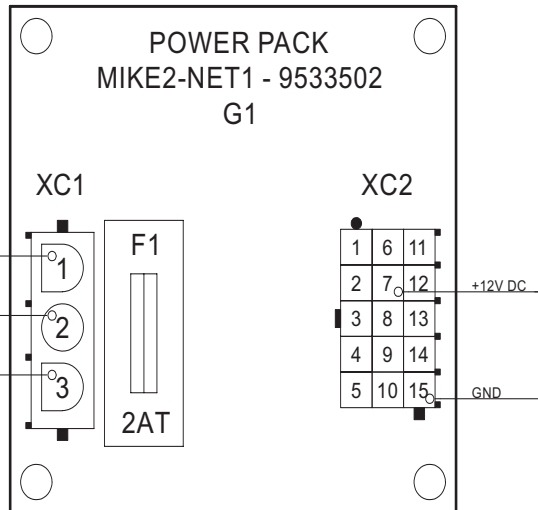
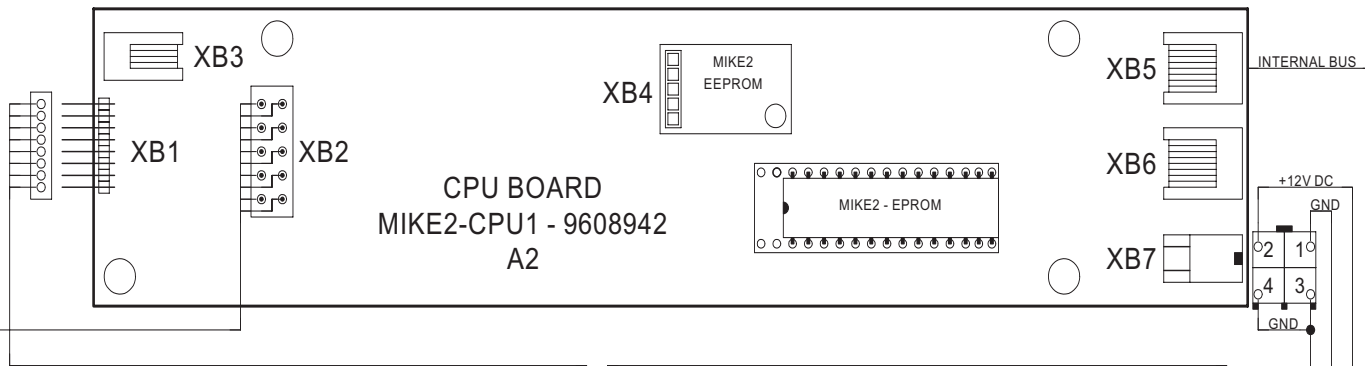
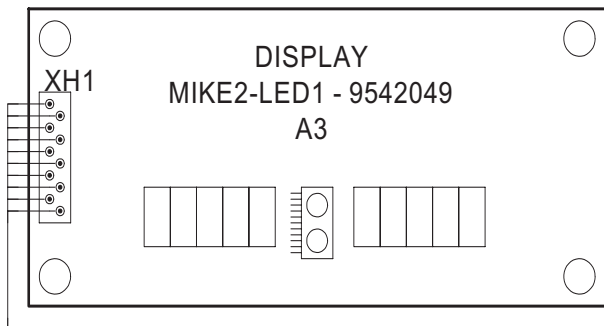
RELEASE FOR PRODUCTION	04/01/2005	LST	
RELEASE ON SUPPLY	04/01/2005	LST	
LAST DRAWER	11/10/2009	SZ	
REVISION			

WIRING DIAGRAM



FV250.2 / DV270.2 USA
 460V 3 PH+G 60Hz
 ALLOCATION TABLE

9622297
 FV250.2 / DV270.2



RELEASE FOR PRODUCTION	04/01/2005	LST	
RELEASE ON SUPPLY	04/01/2005	LST	
LAST DRAWER	11/10/2009	SZ	
REVISION			

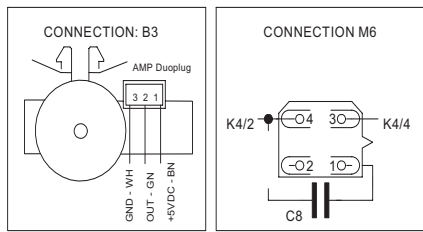
WIRING DIAGRAM



FV250.2 / DV270.2 USA
460V 3 PH+G 60Hz
ELECTRONIC CONTROL

9622297

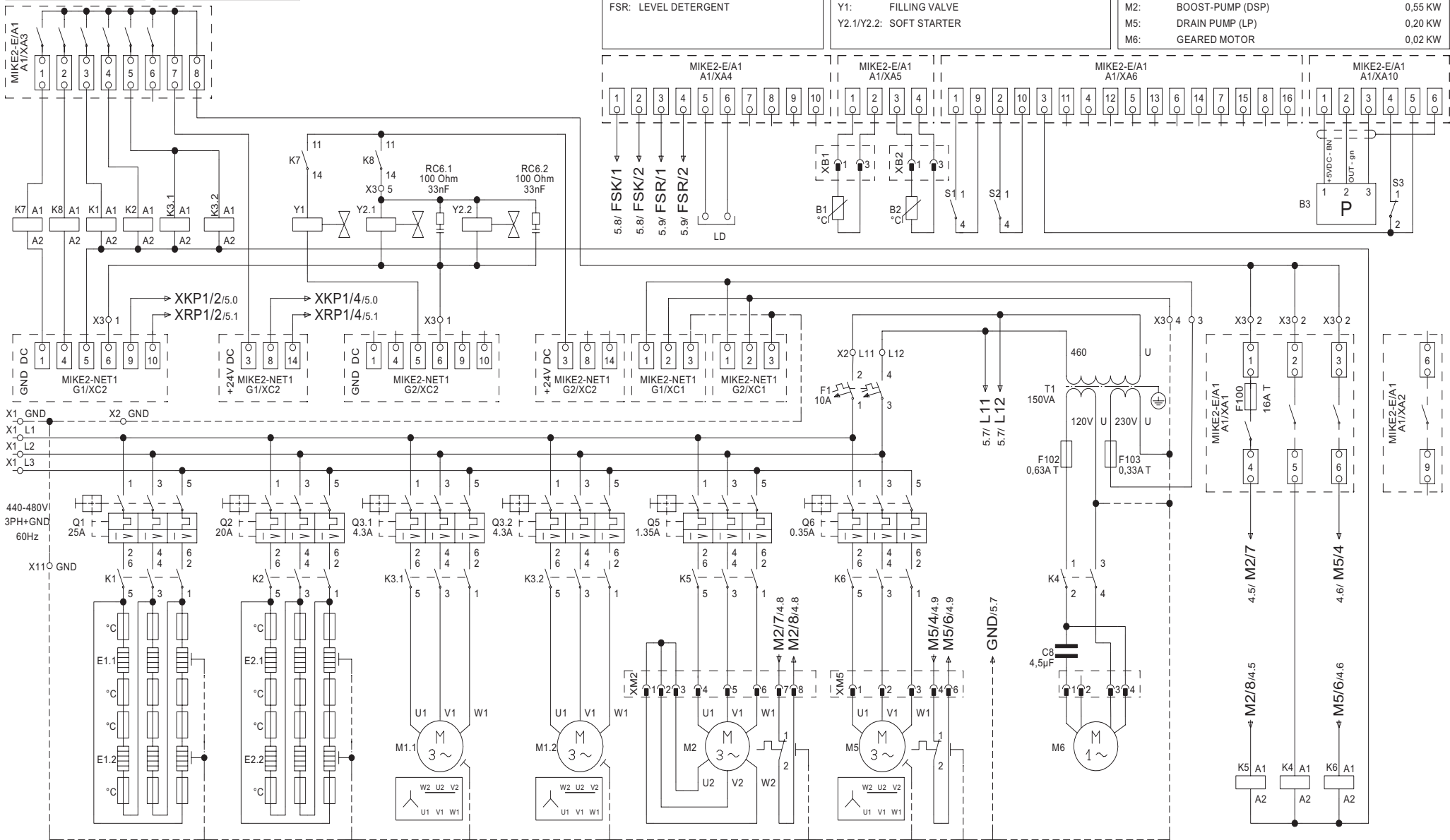
FV250.2 / DV270.2



- CELLS**
- B1: BOOSTER TEMPERATURE SENSOR
 - B2: TANK TEMPERATURE SENSOR
 - B3: TANK LEVEL
 - S1: DOOR SAFETY SWITCH
 - S2: BOOSTER LEVEL SWITCH
 - S3: LEAK WATER - PAN
 - LD: LEAKAGE DOSING
 - FSK: LEVEL RINSE-AID
 - FSR: LEVEL DETERGENT

- COMPONENTS 24V DC**
- K1: BOOSTER CONTACTOR
 - K2: TANK HEAT. CONTACTOR
 - K3.1/K3.2: WASH PUMP CONTACTOR
 - K4: POWER CUTTING CONTACTOR
 - K5: BOOST PUMP CONTACTOR
 - K6: DRAIN PUMP CONTACTOR
 - K7: RELAY FILLING VALVE
 - K8: RELAY SOFT STARTER VALVE
 - Y1: FILLING VALVE
 - Y2.1/Y2.2: SOFT STARTER

- COMPONENTS 24V DC**
- M3: RINSE AID DOSING (KP)
 - M4: DETERGENT DOSING PUMP (RP)
- COMPONENTS 230V AC**
- E1.1/E1.2: BOOSTER HEATING 2x 9,0 KW
 - E2.1/E2.2: TANK HEATING 2x 6,0 KW
 - M1: WASH PUMP (WP) 2x 2,2 KW
 - M2: BOOST-PUMP (DSP) 0,55 KW
 - M5: DRAIN PUMP (LP) 0,20 KW
 - M6: GEARED MOTOR 0,02 KW



3

5

RELEASE FOR PRODUCTION	04/01/2005	LST
RELEASE ON SUPPLY	04/01/2005	LST
LAST DRAWER	11/10/2009	SZ
REVISION		

WIRING DIAGRAM

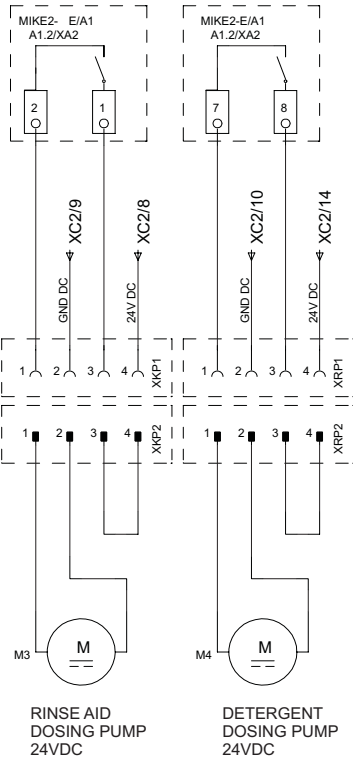


FV250.2 / DV270.2 USA
460V 3 PH+G 60Hz
ELECTRONIC CONTROL

9622297

FV250.2 / DV270.2

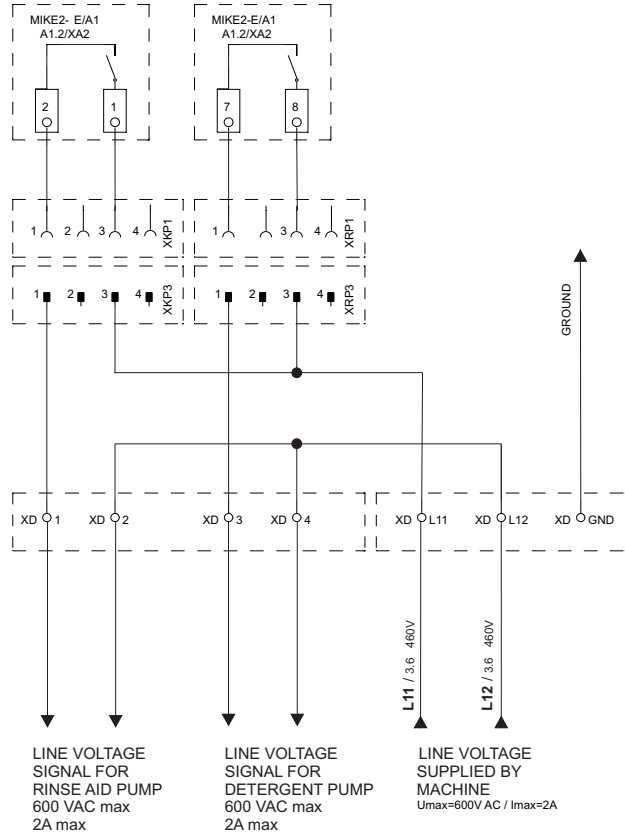
INTERNAL DOSING PUMPS - 24VDC



RINSE AID
DOSING PUMP
24VDC

DETERGENT
DOSING PUMP
24VDC

EXTERNAL DOSING PUMPS - LINE VOLTAGE

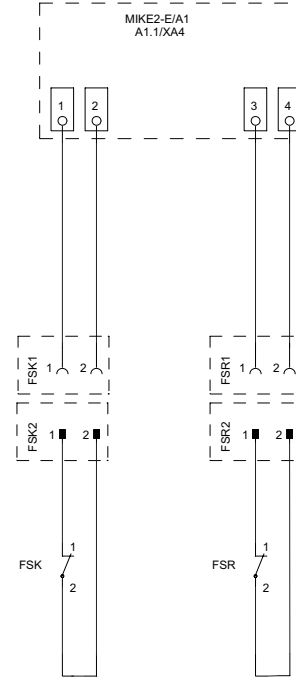


LINE VOLTAGE
SIGNAL FOR
RINSE AID PUMP
600 VAC max
2A max

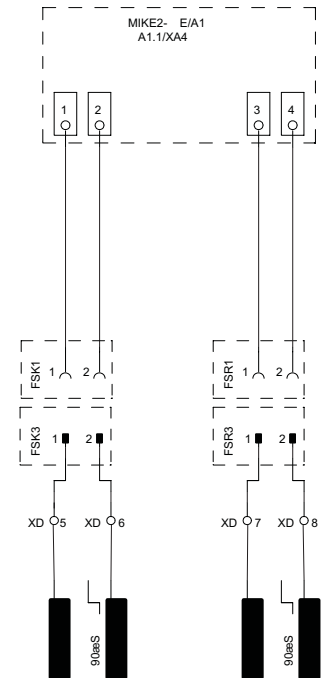
LINE VOLTAGE
SIGNAL FOR
DETERGENT PUMP
600 VAC max
2A max

LINE VOLTAGE
SUPPLIED BY
MACHINE
U_{max}=600V AC / I_{max}=2A

CHEMICAL AGENT LEVEL SENSOR (OPTIONAL)

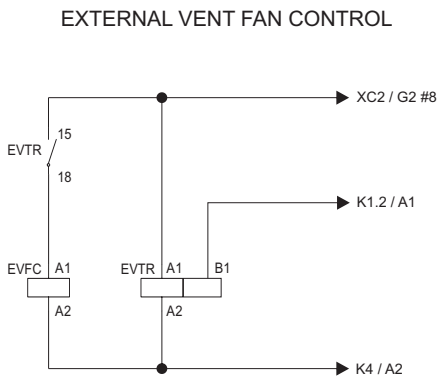


CHEMICAL AGENT LEVEL SENSOR (OPTIONAL)

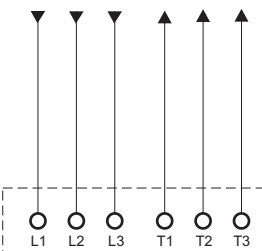


RELEASE FOR PRODUCTION	04/01/2005	LST
RELEASE ON SUPPLY	04/01/2005	LST
LAST DRAWER	11/10/2009	SZ
REVISION		





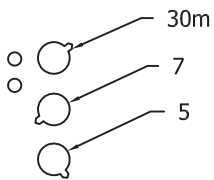
LINE VOLTAGE FOR EXHAUST FAN - IN*



EVFC

* 12 AWG 20A MAXIMUM

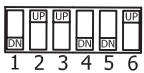
EVTR TIMER SETTINGS - DIAL STYLE



EVTR TIMER SETTINGS - DIP SWITCH STYLE



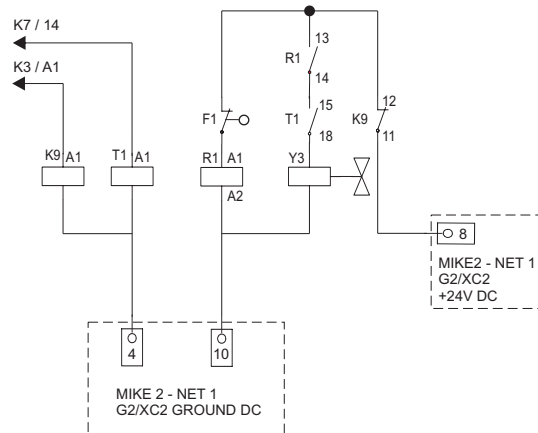
SET TO 80 %



SET DIP SWITCHES TO:

- 1 - DOWN
- 2 - UP
- 3 - UP
- 4 - DOWN
- 5 - DOWN
- 6 - UP

WASH TANK FILL



- F1: WASH TANK FLOAT
- K9: ANTI CHATTER RELAY
- R1: WASH TANK FILL RELAY
- T1: OFF DELAY TIMER WASH TANK FILL (SET TO 30 SECONDS)
- Y3: WASH TANK FILLING VALVE

5

RELEASE FOR PRODUCTION	04/01/2005	LST	
RELEASE ON SUPPLY	04/01/2005	LST	
LAST DRAWER	03/21/2005	LST	
REVISION			

WIRING DIAGRAM



FV250.2 / DV270.2 USA
460V 3 PH+G 60Hz
MACHINE OPTIONS

9622297

FV250.2 / DV270.2