

Meiko USA
 1349 Heil Quaker Blvd.
 Lavergne, TN 37086
 800-868-3840

WIRING DIAGRAM

Model Number : DV120.2
 Voltage : 208 - 230 VAC 60 HZ
 Phase : 3~

Released For Production :
 Editor : sz

FOR USE WITH THE FOLLOWING OPTIONS:

- Internal Chemical Dosing Pumps
- Drain Water Tempering Kit
- Power Cord Kit
- External Vent Fan Control

RELEASE FOR PRODUCTION	04/01/2005	LST	
RELEASE ON SUPPLY	04/01/2005	LST	
LAST DRAWER	10/22/2009	SZ	
REVISION			

WIRING DIAGRAM



DV120.2
 208V - 230V 3 PH+G 60Hz
 COVER PAGE

9608785

DV120.2

INPUT / OUTPUT ALLOCATION TABLE			
LEVEL	INPUT / OUTPUT	ASSIGNMENT	CONNECTION
2-2	INPUT 1	S1: DOOR CLOSED	XA6 1/9
2-2	INPUT 2	S2: BOOSTER LEVEL SWITCH	XA6 2/10
2-2	INPUT 3	S3: FLOOR LEAKAGE	XA6 3
2-2	INPUT 4	S4: HOOD HANDLE START	XA6 4/12
2-2	INPUT 5		XA6 5/13
2-2	INPUT 6		XA6 6/14
2-2	INPUT 7		XA6 7/15
2-2	INPUT 8		XA6 8/16
2-2	INPUT 9	FSK: RINSE AID LEVEL (OPT.)	XA4 1/2
2-2	INPUT 10	FSR: DETERGENT LEVEL (OPT.)	XA4 3/4
2-2	INPUT 11		XA4 5/6
2-2	INPUT 12		XA4 7/8
2-2	INPUT 22		XA4 9/10
2-2	INPUT 19	B1: BOOSTER TEMPERATURE	XA5 1/2
2-2	INPUT 20	B2: TANK TEMPERATURE	XA5 3/4
2-2	INPUT 21	B3: TANK LEVEL	XA10 1/2/3
2-3	OUTPUT 1	U1-S1: FREQUENCY CONVERTER	XA1 4
2-3	OUTPUT 2	M2: BOOST-PUMP	XA1 5
2-3	OUTPUT 3	M5: DRAIN PUMP	XA1 6
2-3	OUTPUT 4	M3/KP: RINSE AID DOSING	XA2 2
2-3	OUTPUT 5	M4/RP: DETERGENT DOSING	XA2 7
2-3	OUTPUT 6	K3/K4: POWER CUTTING	XA2 9
2-3	OUTPUT 7	Y1: FILLING VALVE	XA3 1
2-3	OUTPUT 8		XA3 2
2-3	OUTPUT 9	K1.1/.2: BOOSTER CONTACTOR	XA3 3
2-3	OUTPUT 10	K2: TANK HEAT. CONTACTOR	XA3 4
2-3	OUTPUT 11	U1-S5: FREQUENCY CONVERTER	XA3 5
2-3	OUTPUT 12	U1-S6: FREQUENCY CONVERTER	XA3 6

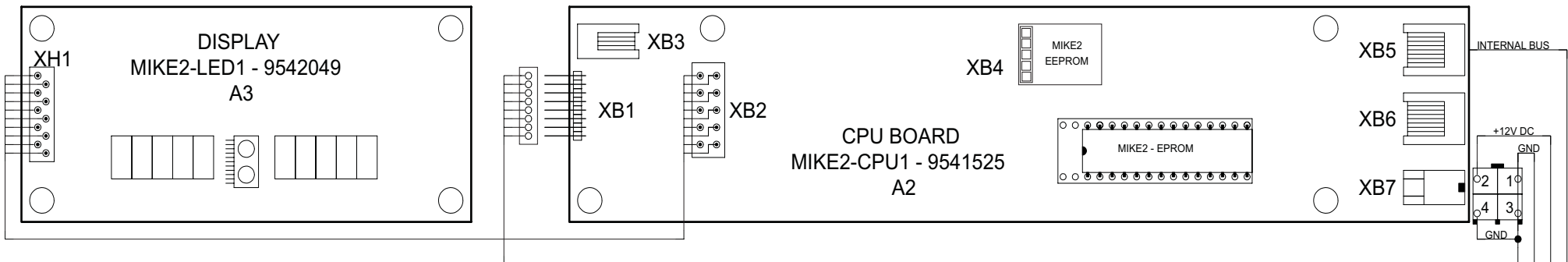
RELEASE FOR PRODUCTION	04/01/2005	LST	
RELEASE ON SUPPLY	04/01/2005	LST	
LAST DRAWER	03/21/2005	LST	
REVISION			

WIRING DIAGRAM

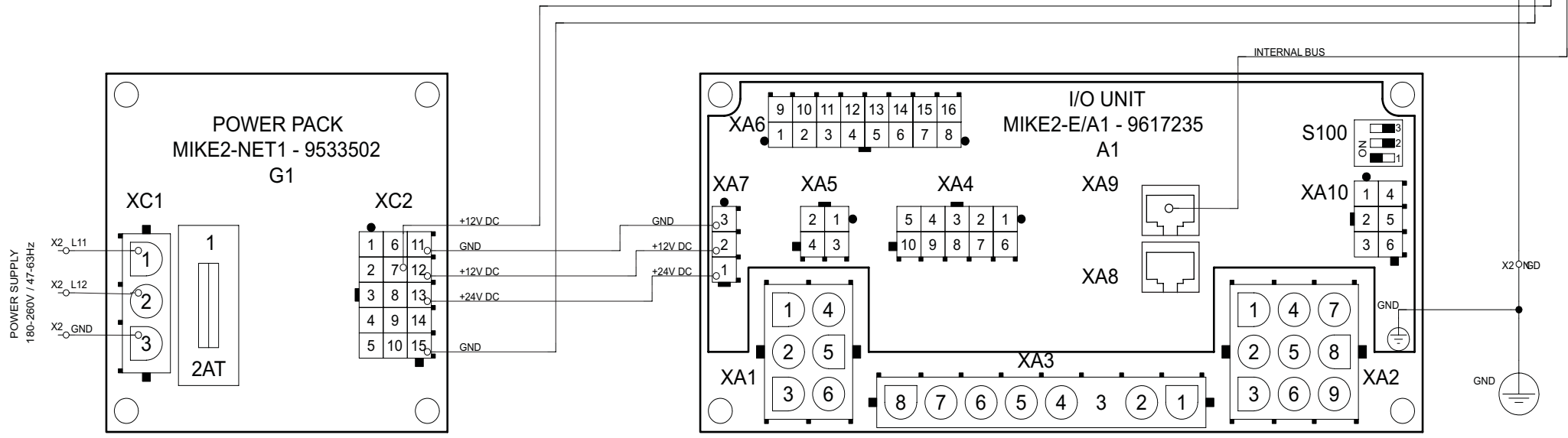


DV120.2
208V - 230V 3 PH+G 60Hz
ALLOCATION TABLE

9608785
DV120.2



TOUCH PANEL
PART NUMBER: 9207357
A4



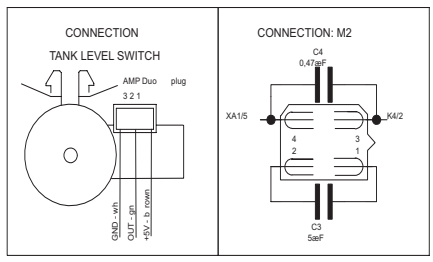
RELEASE FOR PRODUCTION	04/01/2005	LST
RELEASE ON SUPPLY	04/01/2005	LST
LAST DRAWER	03/21/2005	LST
REVISION		

WIRING DIAGRAM

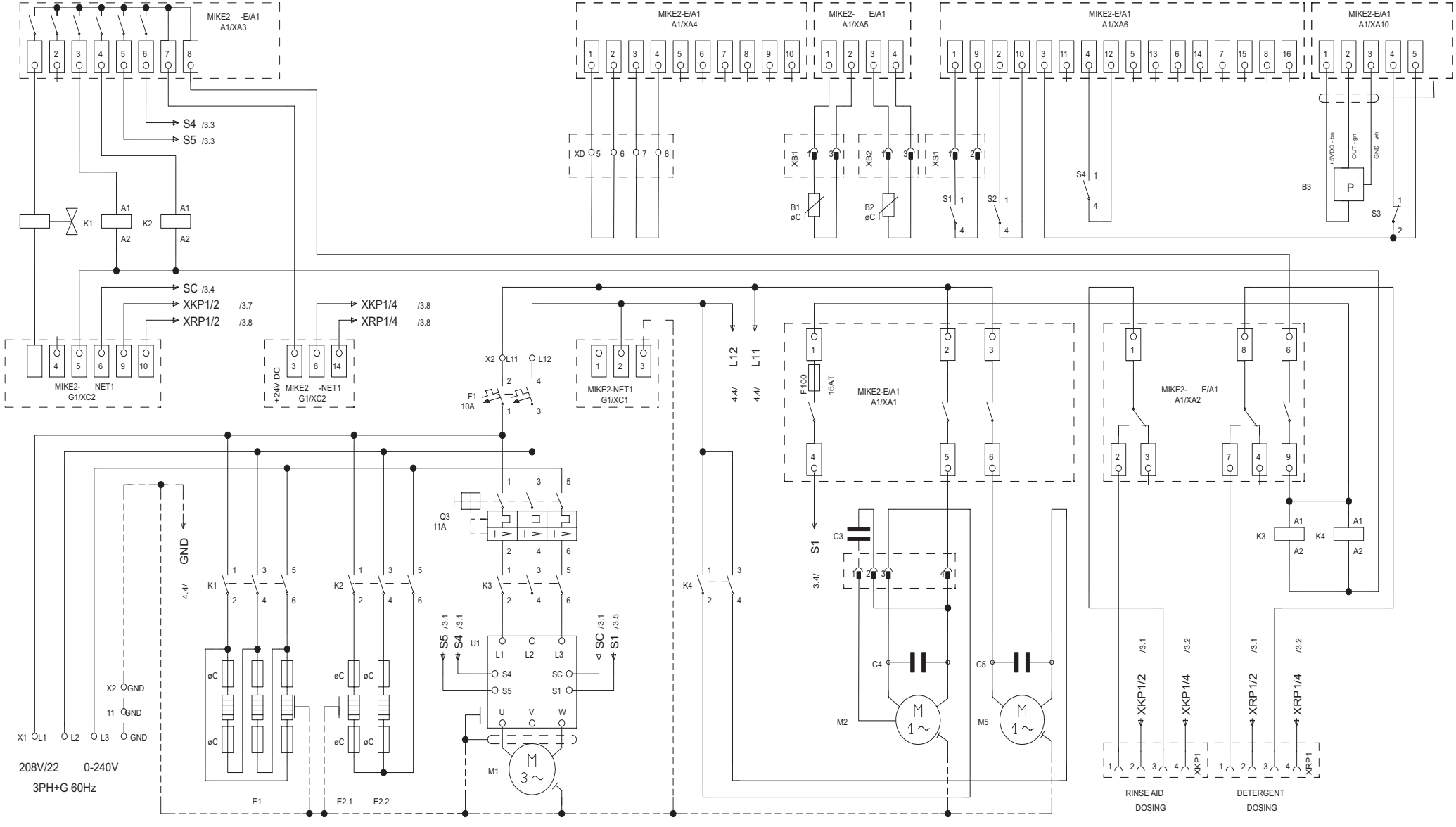


DV120.2
208V - 230V 3 PH+G 60Hz
ELECTRONIC CONTROL

9608785
DV120.2
Page 3



CELLS		COMPONENTS 24V DC		COMPONENTS 208V/220-240V AC	
B1:	BOOSTER TEMPERATURE SENSOR	K1:	BOOSTER CONTACTOR	E1:	BOOSTER HEATING 9,0 KW
B2:	TANK TEMPERATURE SENSOR	K2:	TANK HEAT CONTACTOR	E2.1:	TANK HEATING 2,0 KW
B3:	TANK LEVEL SWITCH	K3:	FREQUENCY CONVERTER	E2.2:	TANK HEATING 2,0 KW
S1:	DOOR SAFETY SWITCH	K4:	POWER CUTTING CONTACTOR	M1:	WASH PUMP (WP) 1,5 KW
S2:	BOOSTER LEVEL SWITCH	Y1:	FILLING VALVE	M2:	BOOST-PUMP (DSP)
S3:	FLOOR LEAKAGE SWITCH	M3:	RINSE AID DOSING PUMP (KP)	M5:	DRAIN PUMP (LP)
S4:	HOOD HANDLE START	M4:	DETERGENT DOSING PUMP (RP)	U1:	FREQUENCY CONVERTER
FSK:	RINSE AID LEVEL (OPT.)				
FSR:	DETERGENT LEVEL (OPT.)				



RELEASE FOR PRODUCTION	04/01/2005	LST
RELEASE ON SUPPLY	04/01/2005	LST
LAST DRAWER	03/21/2005	LST
REVISION		

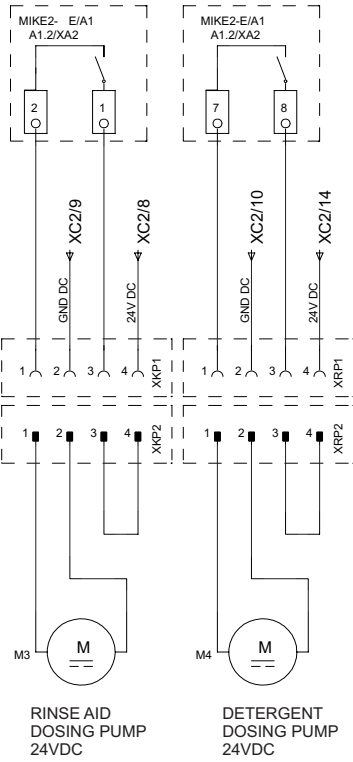
WIRING DIAGRAM



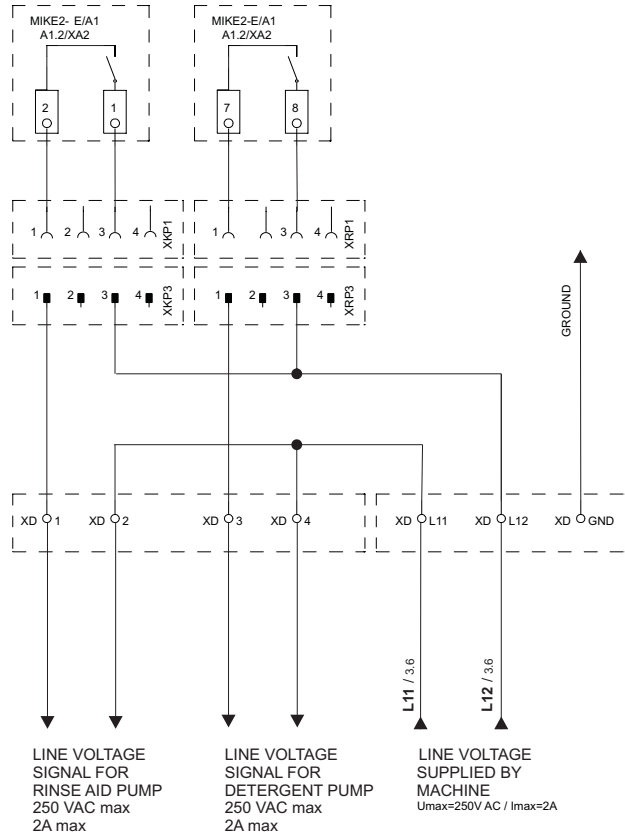
DV120.2
208V - 230V 3 PH+G 60Hz
ELECTRONIC CONTROL

9608785	
DV120.2	Page 4

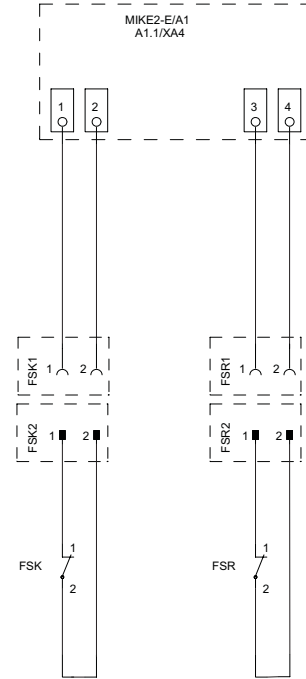
INTERNAL DOSING PUMPS - 24VDC



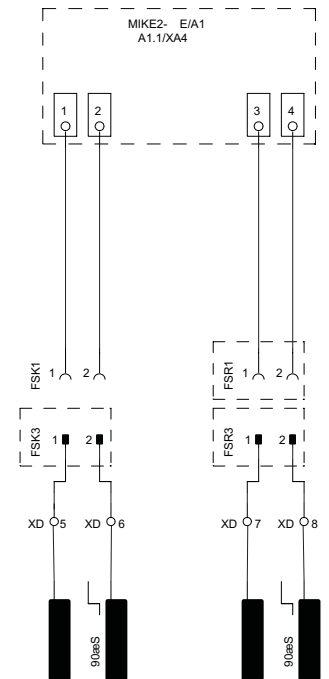
EXTERNAL DOSING PUMPS - LINE VOLTAGE



CHEMICAL AGENT LEVEL SENSOR (OPTIONAL)



CHEMICAL AGENT LEVEL SENSOR (OPTIONAL)



4

RELEASE FOR PRODUCTION	04/01/2005	LST
RELEASE ON SUPPLY	04/01/2005	LST
LAST DRAWER	03/21/2005	LST
REVISION		

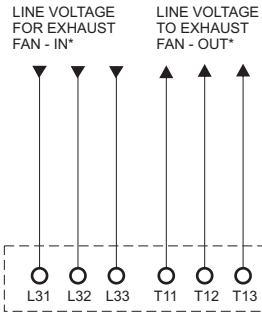
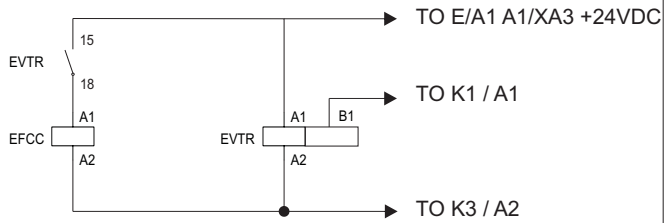
WIRING DIAGRAM



DV120.2
208V - 230V 3 PH+G 60Hz
CHEMICAL DOSING CONNECTIONS

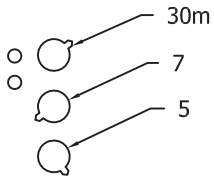
9608785
DV120.2
Page 5

EXTERNAL VENT FAN CONTROL



* 12 AWG 20A MAXIMUM

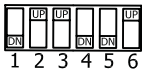
EVTR TIMER SETTINGS - DIAL STYLE



EVTR TIMER SETTINGS - DIP SWITCH STYLE



SET TO 80 %



SET DIP SWITCHES TO:

- 1 - DOWN
- 2 - UP
- 3 - UP
- 4 - DOWN
- 5 - DOWN
- 6 - UP

5

RELEASE FOR PRODUCTION	04/01/2005	LST	
RELEASE ON SUPPLY	04/01/2005	LST	
LAST DRAWER	08/16/2010	SZ	
REVISION			

WIRING DIAGRAM



DV120.2
208V - 230V 3 PH+G 60Hz
MACHINE OPTIONS

9608785

DV120.2