



# SIDE LOADER

Standard SL-LR, SL-RL  
Hooded SLH-LR, SLH-RL

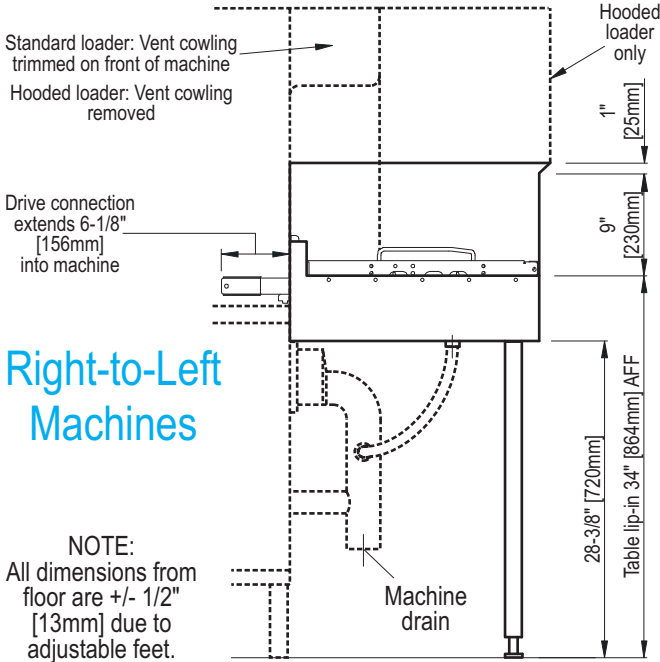
# RACK CONVEYOR WAREWASHER ACCESSORIES

## The clean solution

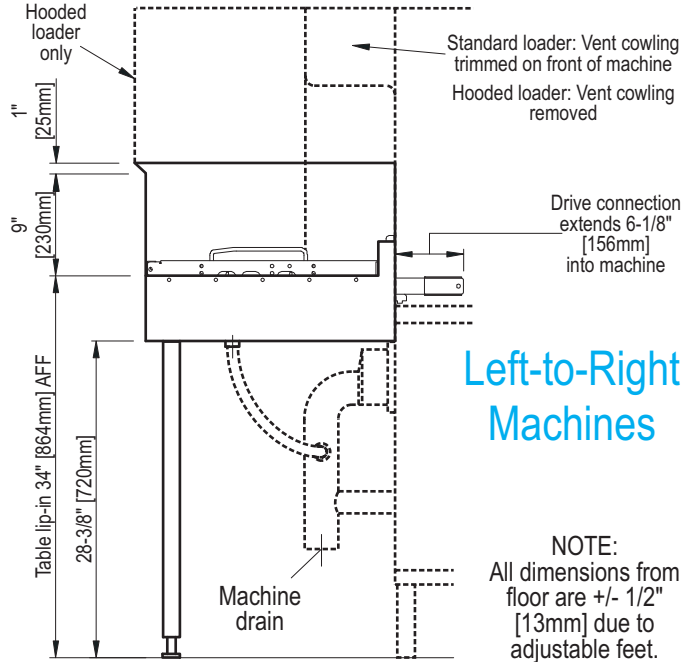
MEIKO's side loader accessory provides a reliable way to make the most use of limited space in the dishroom.

Racks pushed into the front of the loader are engaged by an extension of the dishwasher's conveyor drive, and are automatically advanced into the dishwasher. Because the loader is powered by the MEIKO rack conveyor dishwasher, racks are automatically advanced at the correct speed and no electrical connection is required.

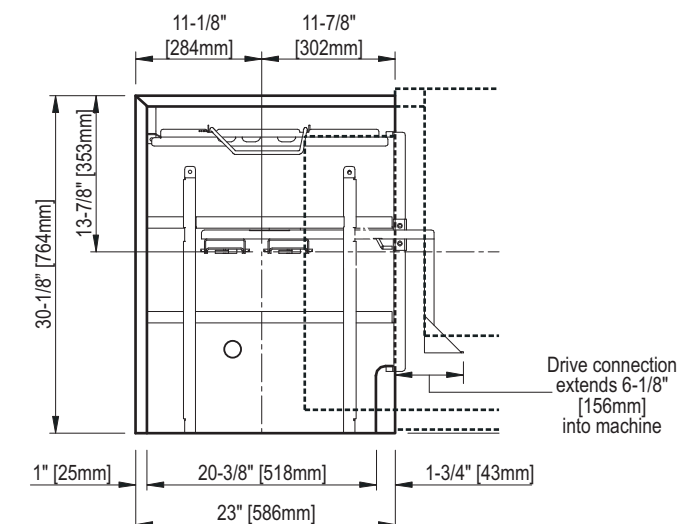
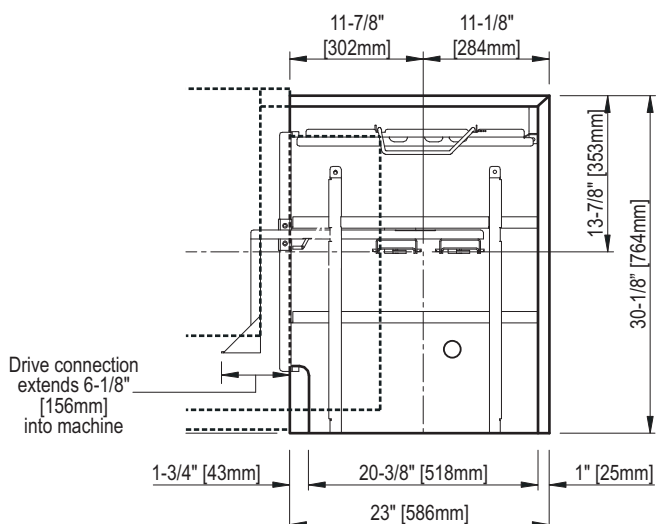
The side loader is available in standard or hooded versions, and may be used with K-Series, K-Tronic Series and M-iQ Series rack conveyor dishmachines.

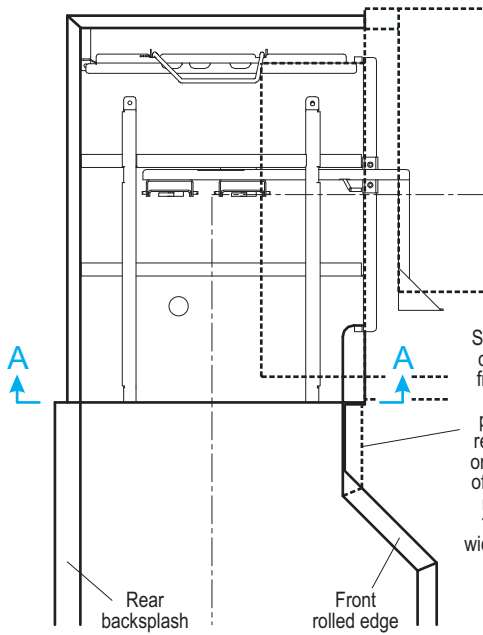


### Right-to-Left Machines



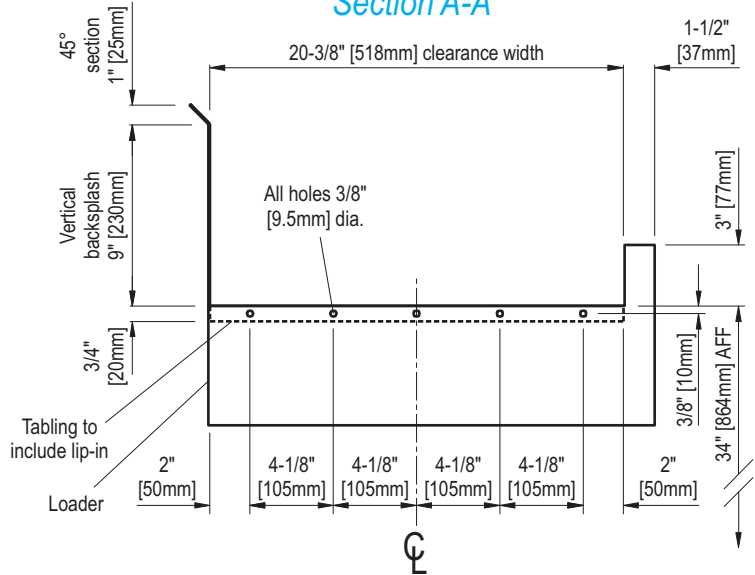
### Left-to-Right Machines



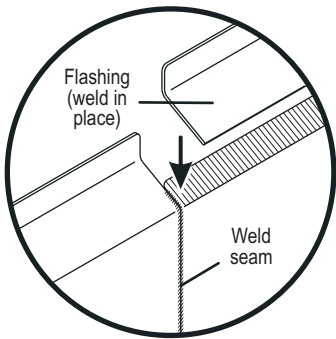


Suggested table construction at front edge may be a vertical plate (top hem recommended), or a continuation of standard front rolled edge (if 1-1/2" / 37mm wide or narrower).

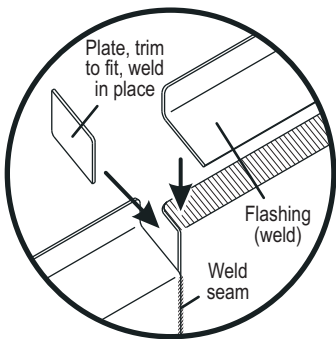
### Section A-A



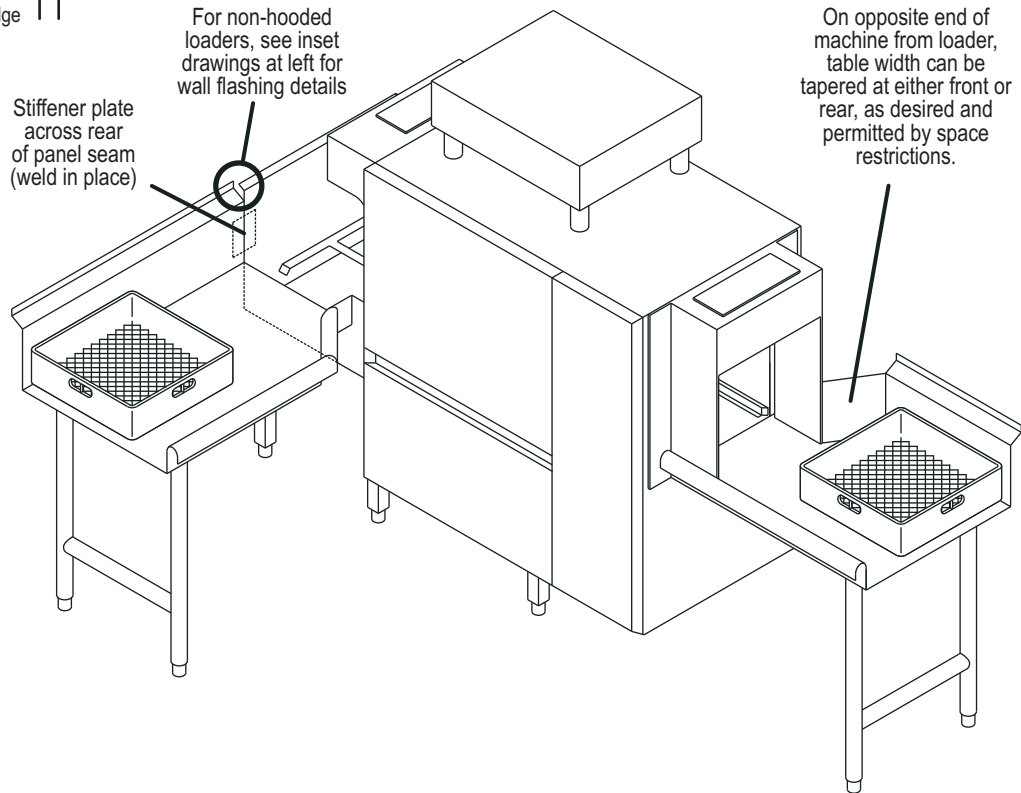
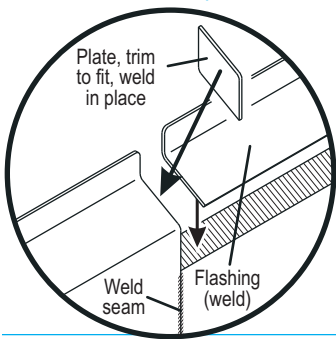
*If wall backsplash is same height as loader backsplash*



*If wall backsplash is lower than loader backsplash*



*If wall backsplash is higher than loader backsplash*



### Technical Specifications:

- Overall Dimensions ..... 23"W x 30-1/8"D (586x764mm)
- Standard Loader:
- Backsplash height ..... 9" vertical + 1" at 45° (10" total) (230mm + 25mm, 255mm total)
  - Overall height ..... 44" (1119mm)
- Hooded Loader:
- Overall height, standard machine ..... 57-7/8" (1470mm)
  - Overall height, tall-hood machine ..... 65-7/8" (1673mm)
- Table Lip-In Height ..... 34" (864mm) AFF
- Wall clearances ..... As per table design

**Note:** All specifications are subject to change without notice based on MEIKO's dedicated product improvement program.

### At time of ordering, please specify:

- Dishmachine Series
- \_\_\_ K-Series
  - \_\_\_ K-Tronic Series
  - \_\_\_ M-iQ Series
- Loader Type
- \_\_\_ Standard (SL)
  - \_\_\_ Hooded (SLH)
- Direction of Operation
- \_\_\_ Left-to-Right (-LR)
  - \_\_\_ Right-to-Left (-RL)