



POWER LOADER, POWER UNLOADER

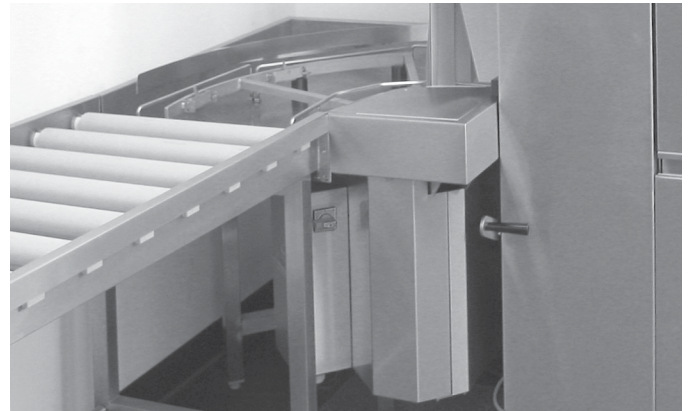
PL-LR, PL-RL, PU-LR, PU-RL

RACK CONVEYOR WAREWASHER ACCESSORIES

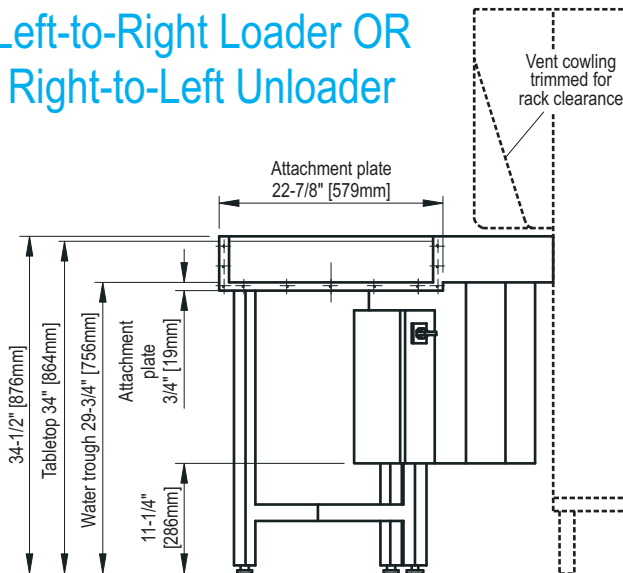
The clean solution

MEIKO's power loader and unloader accessory provide a reliable way to make the most use of limited space in the dishroom. Racks are automatically translated through 90° and loaded into either the dishwasher (for loaders) or onto exit tabling (for unloaders). The drive system is pre-set at the factory for the correct speed settings for the dishmachine. No field adjustment is required.

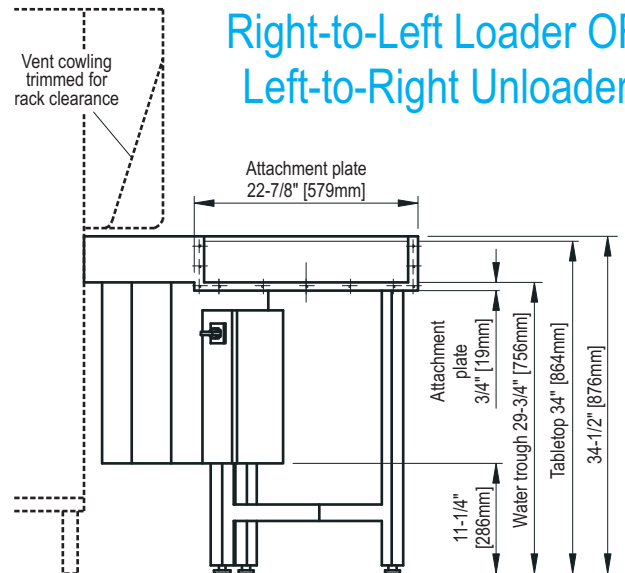
Power loaders and unloaders may be used with K-Series, K-Tronic Series and M-iQ Series dishmachines. If using a power unloader with a K-Tronic Series or M-iQ Series dishmachine, additional options may be available. Contact MEIKO at sales@meiko.us for assistance.



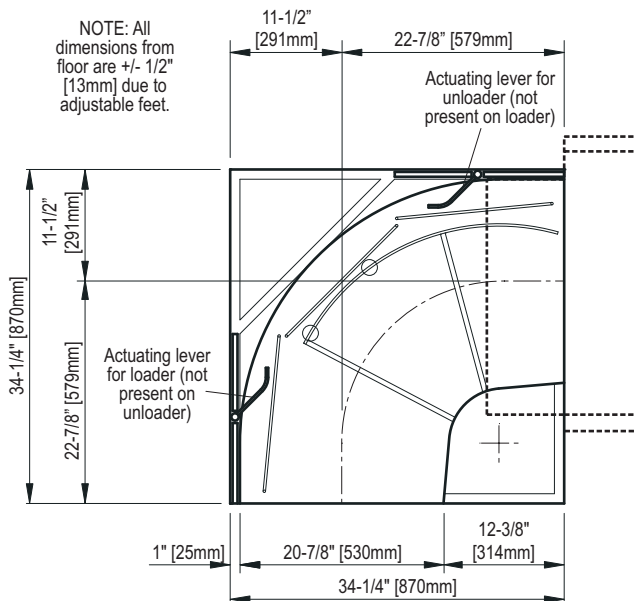
Left-to-Right Loader OR Right-to-Left Unloader



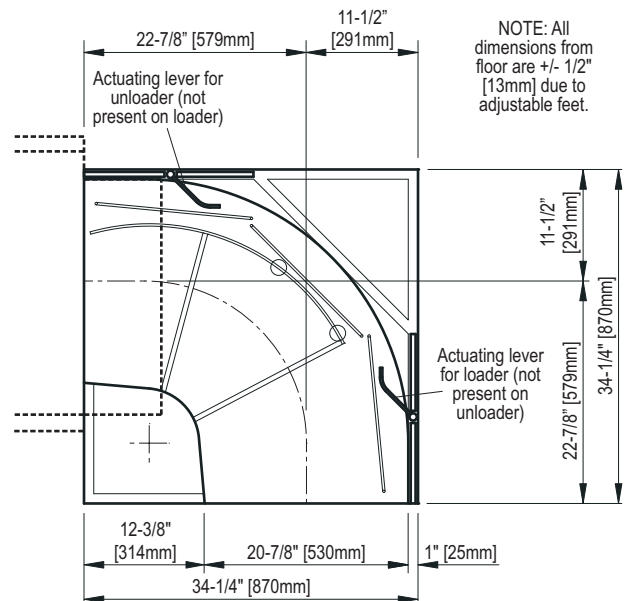
Right-to-Left Loader OR Left-to-Right Unloader

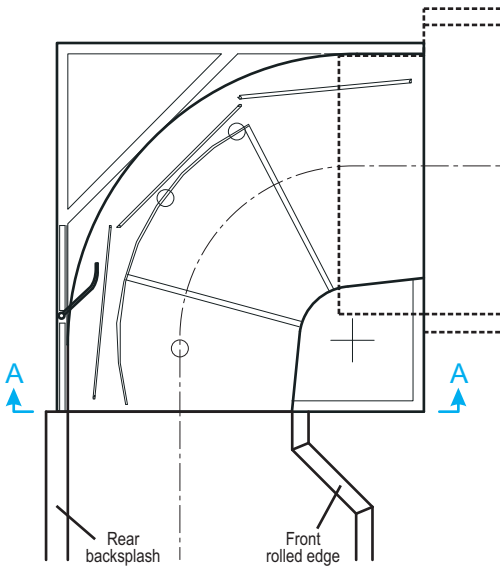


NOTE: All dimensions from floor are +/- 1/2" [13mm] due to adjustable feet.



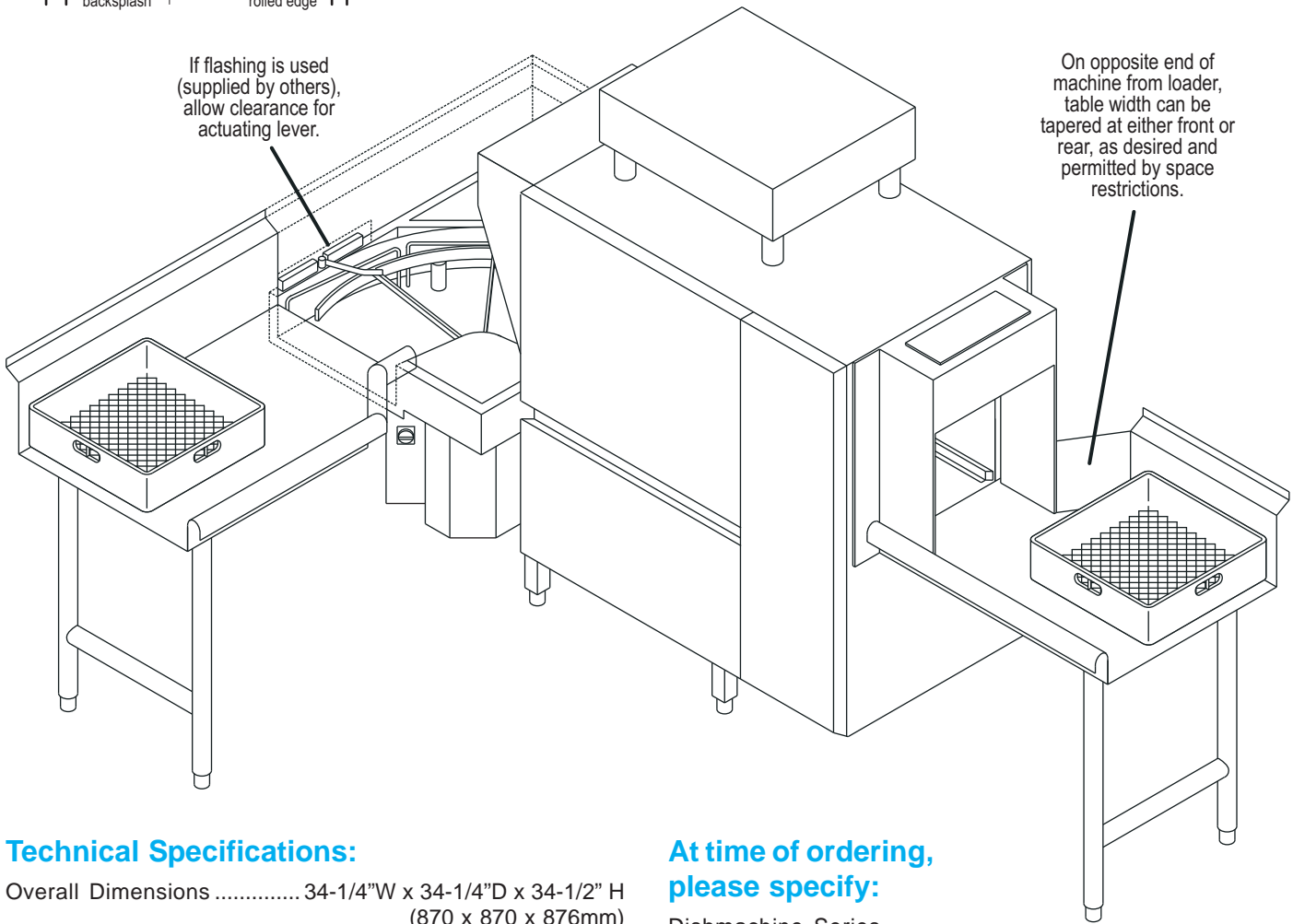
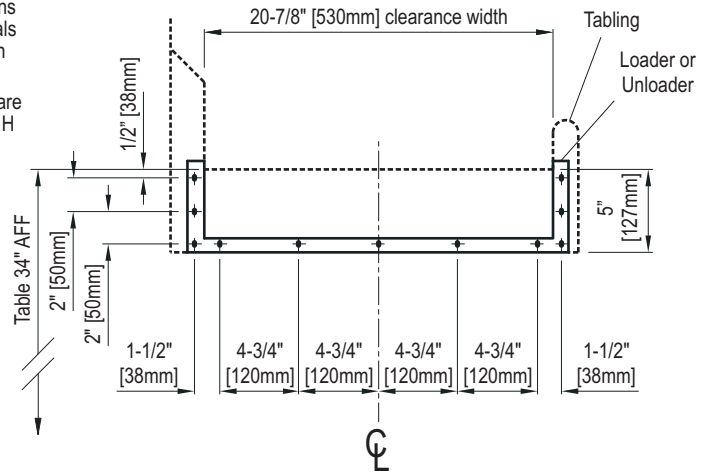
NOTE: All dimensions from floor are +/- 1/2" [13mm] due to adjustable feet.





Construct end of dish table with vertical plate per dimensions provided. Plate seals end of drip pan on loader/unloader.
 All mounting holes are slots 1/4" W x 1/2" H [6 x 12mm].

Section A-A



Technical Specifications:

Overall Dimensions 34-1/4"W x 34-1/4"D x 34-1/2" H (870 x 870 x 876mm)
 Table Lip-In Height 34" (864mm) AFF
 Wall clearances As per table design

Electrical:

If ordered with dishmachine, power loader/unloader is interwired with dishmachine electrical supply.

- 208/230 V, 60 Hz, 3Ph: Adds 0.6A to machine load
- 460 V, 60 Hz, 3Ph: Adds 0.3A to machine load

If adding this accessory to a dishmachine that has already been installed, contact MEIKO at sales@meiko.us for assistance.

At time of ordering, please specify:

- Dishmachine Series
- ___ K-Series
 - ___ K-Tronic Series
 - ___ M-iQ Series
- Accessory Type
- ___ Power Loader (PL)
 - ___ Power Unloader (PU)
- Direction of Operation
- ___ Left-to-Right (-LR)
 - ___ Right-to-Left (-RL)

Note: All specifications are subject to change without notice based on MEIKO's dedicated product improvement program.