



## DV 120.2

## HOT WATER SANITIZING VARIOTRONIC DOOR-TYPE DISH MACHINE



Meiko's DV 120.2 **Variotronic** door-type machine transforms from a dishwasher to a pot-and-pan washer with the press of a single button. Its powerful 2 Hp wash pump is regulated by Meiko's award-winning "Mike 2" control system, creating variable-frequency drive and wash pressures. This gives the end user the flexibility to accommodate various soil loads, from fine glass stemware and china to heavily soiled pots, pans and utensils.

Other unique features include Meiko's "Active Plus" wash tank soil removal system, "Soft Start" fine china and glassware protection system, "Aqua-Stop" water leakage protection system, and the "Auto Safe" temperature control system. Together with the unit's **internal booster heater** and **power rinse pump**, "Auto Safe" provides constant, *guaranteed* temperature and pressure for the wash and final rinse cycles, regardless of the incoming water temperature and pressures.

As with all products synonymous with the name "Meiko," engineering excellence, manufacturing quality and performance come to the forefront in the DV 120.2.



### Special Features:

- **Variotronic Operation** - Preset cycles feature different wash pressures and cycle times. This permits thorough, outstanding cleaning of a variety of ware.
  - *Cycle 1:* Fineware/stemware - 7 PSI, 34 racks/hr
  - *Cycle 2:* Dishes & glassware - 10 PSI, 54 racks/hr
  - *Cycle 3:* Pots, pans & utensils - 15 PSI, 20 racks/hr
- **Mike 2 Programmable Controller** - advanced micro-computer technology for service diagnostics and end-user dishmachine settings
- **Built-in Booster Heater with Power Rinse Pump** - Guarantees constant pressure and temperature during final rinse
- **Double-wall construction** keeps heat inside the machine, reducing energy consumption and heat loss into the dishroom environment
- **Active Plus** - Double filtration of wash water removes food soil, improving washing efficiency and saving detergent while easing cleaning chores
- **Auto Safe** - Guarantees minimum required wash and rinse temperatures regardless of incoming water temperature
- **Soft Start Wash Pump** - Protects dishes and glasses from chipping or breaking
- **Aqua-Stop** - Automatically turns off incoming water supply should internal water leakage occur

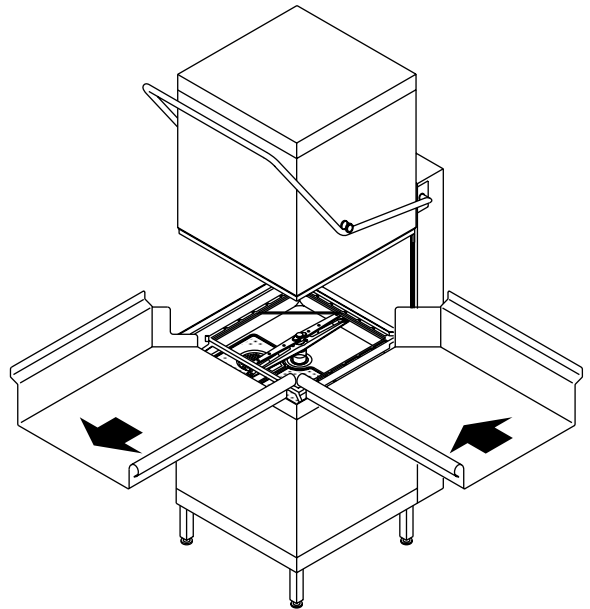
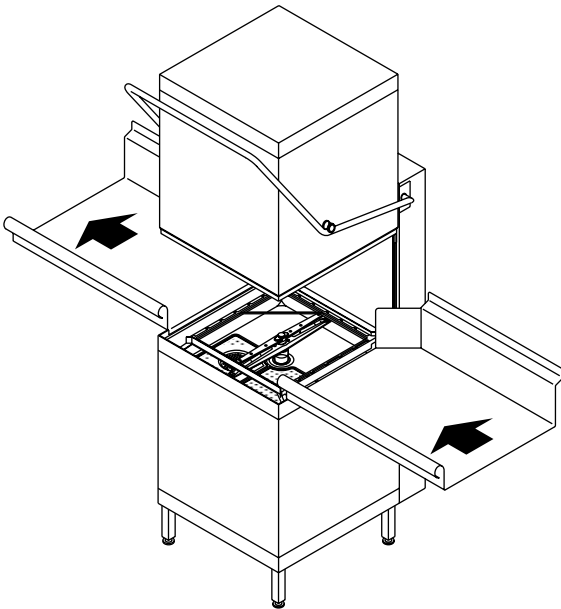
### Standard Features:

- Three variable programmed time/pressure cycles
- Maximum rack capacity of 54 racks per hour
- Utilizes only 1.13 gallons of rinse water per rack
- Fully automatic operation - automatic fill, automatic start, and automatic reset
- Pumped drain for both floor and wall drain applications
- Self cleaning cycle - automatic cleaning of the wash chamber following machine shutdown
- Stainless steel non-clogging wash and rinse arms
- Sloped ceiling is safer for the user and prevents dripping of soiled water onto sanitized ware
- Front mounted controls with digital cycle and temperature displays
- Powerful 2 Hp wash pump
- All 304 and 316L stainless steel construction for advanced corrosion resistance
- Type A air gap system eliminates need for vacuum breaker
- Field-convertible for use in either straight-through or corner applications

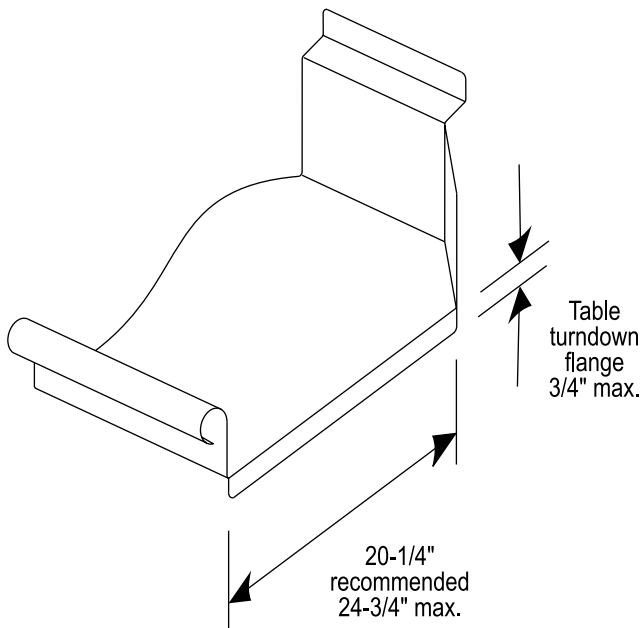


## Corner Installations

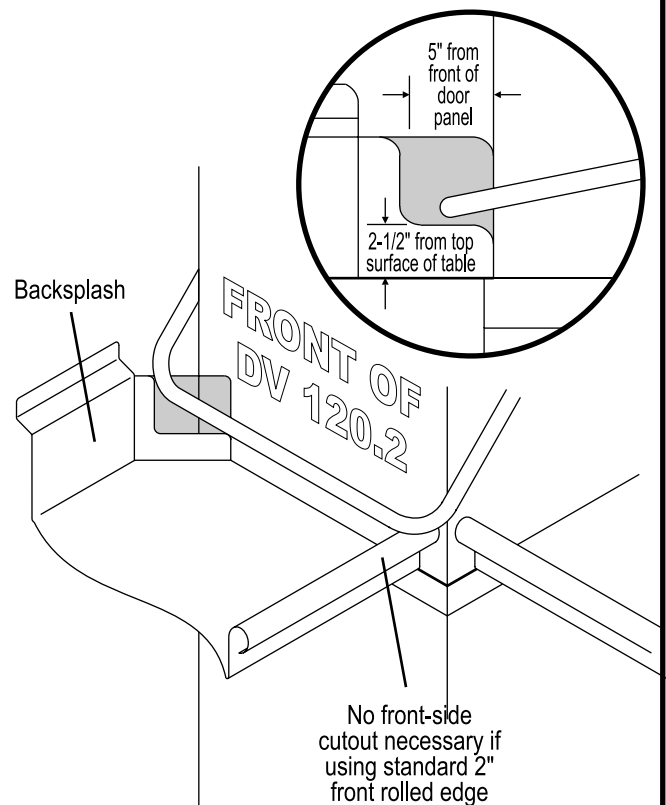
The DV 120.2 is field-convertible from straight-through to corner application in minutes, without additional parts.



## Recommended Tabling Construction



## Tabling Cutout for Corner Installations



## Technical Specifications

### Optimum Capacity:

Racks per hour .....	54
Dishes per hour .....	1350
Glasses per hour .....	1944

### Optimum Cycle Time (normal cycle):

Wash Cycle .....	41 seconds
Dwell / Drain Time .....	15 seconds
Rinse Cycle .....	10 seconds
Total Cycle .....	66 seconds

### Cycles and Wash Pressures:

Cycle 1 .....	105 sec., approx. 7 PSI wash pressure
Cycle 2 .....	66 sec., approx. 10 PSI wash pressure
Cycle 3 .....	3 min., approx. 15 PSI wash pressure

### Water Requirements:

Gallons per Rack .....	1.13
Gallons per Hour .....	61.0
Flow Pressure (psi) .....	8.7-72.5
Incoming Waterline .....	3/4" Male Garden Hose
Drain line Size .....	3/4" OD Flexible Hose

### Required Operating Temperatures:

Incoming Water (Optimum) .....	140°F
Wash (Minimum) .....	150°F
Rinse (Minimum) .....	180°F

### Tank Capacities:

Wash Tank .....	5.81 Gallons
Booster Heater .....	2.77 Gallons

### Electrical Requirements:

Wash Tank Heat .....	2 x 2 kW
Booster Heater .....	9 kW
Wash Pump .....	2 HP
Approximate Total Load Amps:	
• 208-230/60/1 .....	71.9A @ 208V, 77.3A @ 230V
• 208-230/60/3 .....	40.7A @ 208V, 43.9A @ 230V
• 460/60/3 .....	27.1A @ 460V

### Dimensions:

Overall (HxWxD) .....	58-7/16" x 25" x 29-7/8"
Inside Clearance Height .....	17-5/16"
Wall Clearance .....	0" min.

### Machine / Shipping Details:

Machine Weight .....	268 lbs.
Shipping Weight .....	310 lbs.
Shipping Size (HxWxD) .....	65" x 29-5/8" x 35-1/2"

## Specification

DV 120.2 Item Number \_\_\_\_\_

Dishmachine shall be an NSF and UL-approved Meiko DV 120.2 hot water sanitizing door type pot-and-pan washer/dishmachine.

Unit shall be : \_\_\_ 208-230 V / 60 Hz / 1 Ph  
 \_\_\_ 208-230 V / 60Hz / 3 Ph  
 \_\_\_ 460 V / 60 Hz / 3 Ph

Machine shall utilize three user-selectable cycles. Each cycle shall adjust the wash water pressure and cycle length to permit thorough washing of pots, pans and utensils as well as fine glassware and normal ware.

Unit shall have front mounted microcomputer controls, a 66 second normal time cycle, and utilize 1.13 gallons fresh rinse water per cycle. Dishmachine shall utilize a fresh water pumped rinse for constant rinse pressure and temperature every cycle. Unit shall have integral wash tank soil removal system to maintain clean wash water and have built-in temperature safeguards to guarantee washing and rinsing at minimum required temperatures. Wash pump shall be equipped with a smooth start feature to eliminate chipped and broken dishware. Unit shall also incorporate features to stop operation and shut off water flow to the machine should leakage occur.

## "Auto Safe" Feature

The DV 120.2 guarantees that the minimum NSF temperature requirements of 150°F during the wash and 180°F during the final rinse are achieved regardless of the incoming water temperature, even if the dishmachine is installed to a cold water line. Exact rack capacity is dependent upon the incoming water temperature and on the electrical supply voltage. All data shown here refers to normal cycle for dishes and glassware (Cycle 2).

	@230 and 460V			@208V		
	140°F	110°F	70°F	140°F	110°F	70°F
<b>Incoming Temp.</b>	140°F	110°F	70°F	140°F	110°F	70°F
<b>Racks per Hour</b>	54.5	36.0	25.2	46.8	30.8	21.3
<b>Dishes per Hour</b>	1363	900	630	1170	770	533
<b>Glasses per Hour</b>	1962	1296	907	1685	1109	767

**Note: All specifications are subject to change without notice based on Meiko's dedicated product improvement program.**

